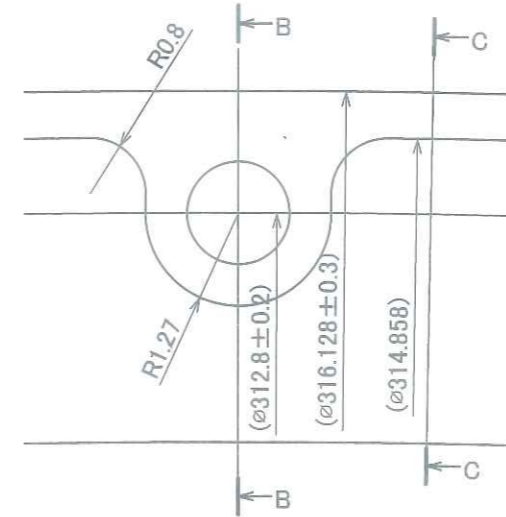
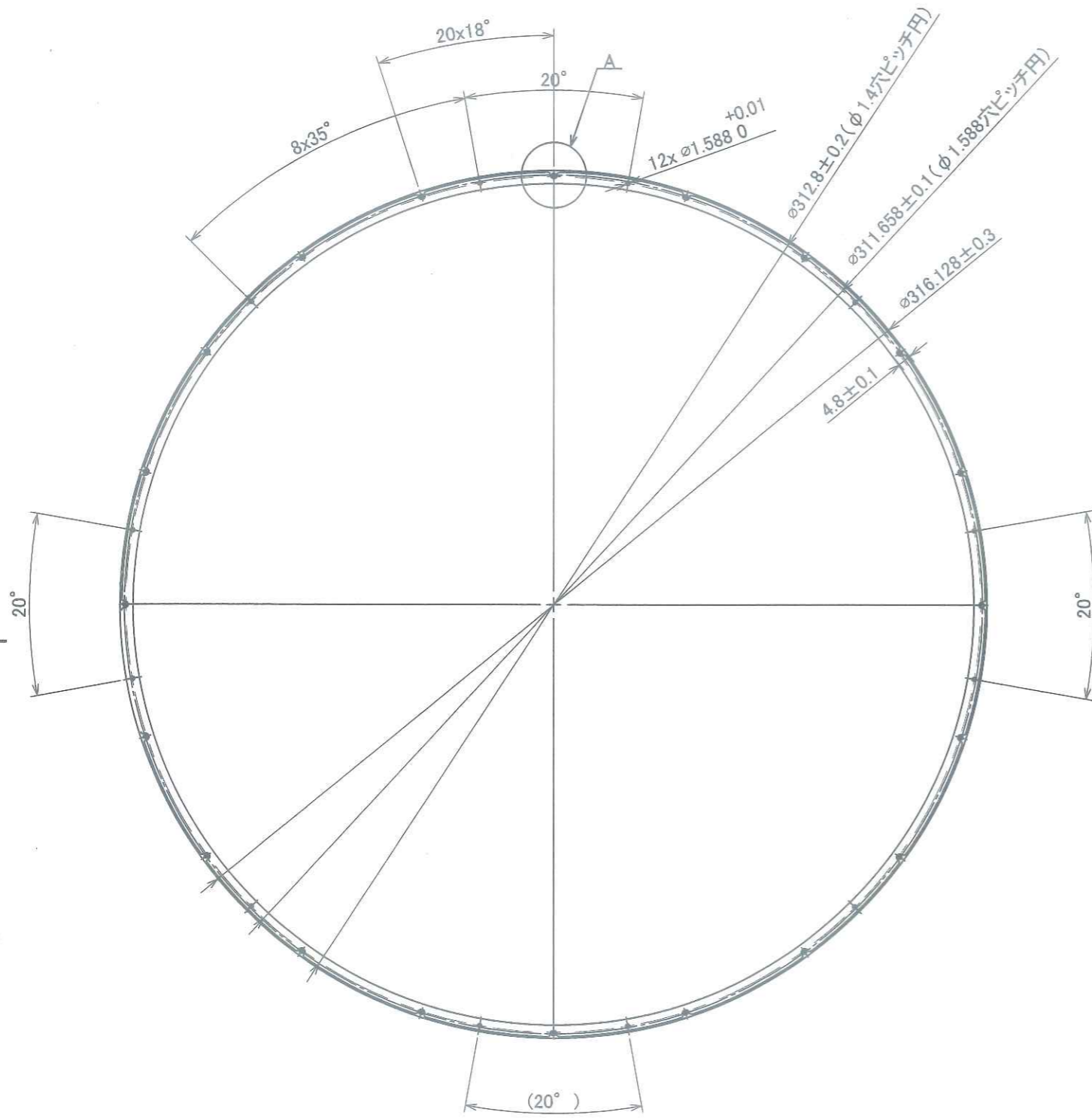
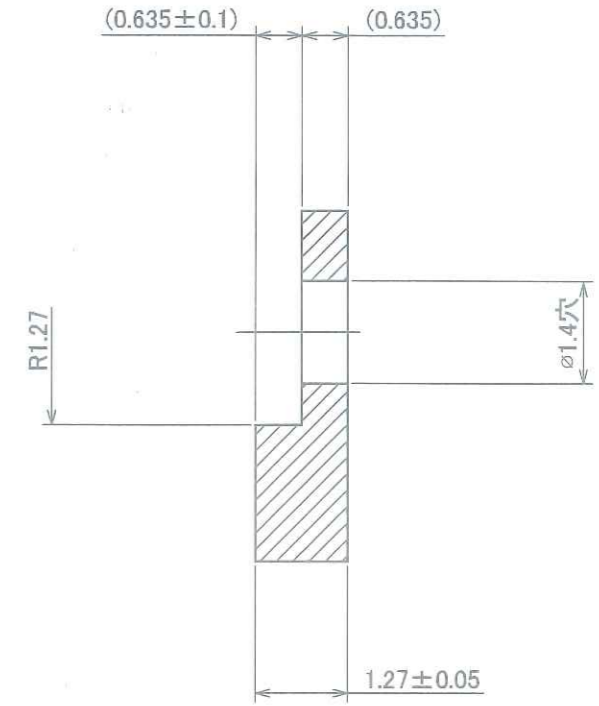


Product Drawing

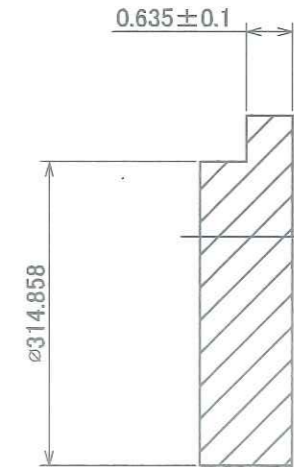
Confidential



A (10 : 1)
(同一形状20箇所)



B-B (10 : 1)
(同一形状20箇所)



C-C (10 : 1)
(全周)

Customer	-			Approved	Checked	Revised	Drawn	Date	2024.10.31		
Handling Agent	Sales Office			Tsuji	-	-	J.Sakamoto	Scale	1:2 (A3)	Unit	mm
Product	Ring (S-Lip Seal)							Method	Third Angle Projection Method		
Material	SUS316L	Hardness	-					Development Item Code	D-*****/000##		Rev
Nominal Size	1.2(t) x 316.128(OD) x 4.8(W) mm							Drawing No.	01-AD0011		